

Eddie Bauer  
by Bushnell

*Eddie Bauer*<sup>®</sup>  
SINCE 1920

## BINOCULAR INSTRUCTION MANUAL

Congratulations on the purchase of your new Eddie Bauer binocular. Your binocular is a precision instrument designed to provide many years of pleasurable viewing. This manual will help you achieve optimum performance by explaining how you can adjust the binocular to your eyes, and how to care for this instrument. Read the instructions carefully before using your binocular.

Lit. #: 91-0304/01-02

### EYE ADJUSTMENTS (FIGURE 1)

#### HOW TO ADJUST FOR DISTANCE BETWEEN YOUR EYES

The distance between the eyes, called "interpupillary distance," varies from person to person. To achieve perfect alignment of lens to eyes, follow these simple steps.

1. Hold your binocular in the normal viewing position.
2. Grasp each barrel firmly. Move the barrels closer together or further apart until you see a single circular field. Always re-set your binocular to this position before using.

#### HOW TO ADJUST FOR INDIVIDUAL EYE STRENGTH

As individual eyesight varies from one person to another, most Eddie Bauer binoculars have a diopter setting feature which allows you to fine-tune the binocular to your vision. Follow the focusing instructions below for your type of binocular.

### FOCUSING

1. Adjust interpupillary distance. (Figure 1)
2. Set the "diopter setting" (Figure 2) to zero and view a distant object.
3. Keep both eyes open at all times.
4. Using a lens cover or your hand, cover the objective (front) lens of the same side of the binocular that has the "diopter setting." This is usually the right side. (The left side on zoom models.)
5. Using the center focus wheel, focus on a distant object with fine detail (e.g., brick wall, tree branches, etc.) until it appears as sharp as possible.
6. Uncover the objective lens on the diopter side, cover the other objective lens, then view the same object.
7. Using the "diopter setting" adjustment ring, focus the same object being viewed. Caution should be used as over turning or forcing the diopter eyepiece can cause damage or cause the eyepiece to break away from the chassis.
8. Your binocular should be adjusted for your eyes. Focusing for any distance can now be done simply by turning the center focus wheel. Make a note of the diopter setting for your eyes for future reference.

#### "ZOOM" FEATURE – ON SELECT MODELS ONLY (FIGURE 3)

1. Follow the steps for focusing as outlined under "Focusing."
2. When focusing a "zoom" (variable power) binocular, it is best to begin at high power. This will reduce or eliminate the need for focus readjustment when zooming between high and low powers. Set the "zoom" lever at the highest power indicated and focus on a distant object with fine detail (e.g., brick wall, tree branches, etc.).
3. Adjust your binocular for individual eye strength using the "diopter setting" as outlined in the instructions for "Focusing."
4. Your binocular is now adjusted properly for your eyes. You may now "zoom" to any power and the subject will stay in focus.

**Note:** To focus on an object at a closer distance, focus on the object at high power first and then adjust the "zoom" lever to the desired lower power. With any "zoom" instrument, better quality images are possible at lower powers.

### WATERPROOF / FOGPROOF

Your Eddie Bauer binocular may be designed and built utilizing the latest waterproof and fogproof technology. Waterproof models are O-ring sealed for complete moisture protection. Fogproof protection is achieved from dry nitrogen purging that removes all internal moisture.

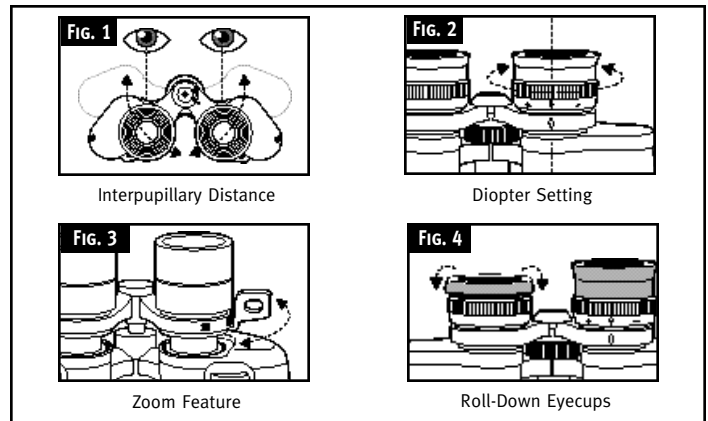
### EYECUPS (EYEGLOSS/SUNGLASS WEARERS): (FIGURE 4)

Your Eddie Bauer binocular is fitted with rubber roll-down, pop-up, or twist-up eyecups designed for your comfort and to exclude extraneous light. If you wear glasses, make sure eyecups are in the down position. This will bring your eyes closer to the binocular lens thus providing improved field of view.

### INSTRUCTIONS FOR CARE

Your Eddie Bauer binocular will provide years of trouble-free service if it receives the normal care you would give any fine optical instrument. Non-waterproof models should not be exposed to excessive moisture.

1. If your binocular has roll-down, flexible eyecups, store it with the eyecups up. This avoids excessive stress and wear on the eyecups in the down position.
2. Avoid banging and dropping.
3. Store in a cool, dry place.



### CLEANING

1. Blow away any dust or debris on the lens (or use a soft lens brush).
2. To remove dirt or finger prints, clean with a soft cotton cloth rubbing in a circular motion. Use of a coarse cloth or unnecessary rubbing may scratch the lens surface and eventually cause permanent damage. A "microfiber" cleaning cloth (available at most photo dealers) is ideal for the routine cleaning of your optics.
3. For a more thorough cleaning, photographic lens tissue and photographic-type lens cleaning fluid or isopropyl alcohol may be used. Always apply the fluid to the cleaning cloth – never directly on the lens.

▼ NEVER LOOK DIRECTLY AT THE SUN WITH YOUR BINOCULAR  
AS IT MAY CAUSE SERIOUS DAMAGE TO YOUR EYES ▼

### WARRANTY / REPAIR

#### LIFETIME LIMITED WARRANTY

Your Eddie Bauer product is warranted by Bushnell<sup>®</sup> to be free of defects in materials and workmanship for the lifetime of the original owner. The Lifetime Limited Warranty\* is an expression of our confidence in the materials and mechanical workmanship of our products and is your assurance of a lifetime of dependable service. In the event of a defect under this warranty, we will, at our option, repair or replace the product, provided that you return the product postage prepaid. This warranty does not cover damages caused by misuse, improper handling, installation, or maintenance provided by someone other than a Bushnell Authorized Service Department.

Any return in the U.S. or Canada made under this warranty must be accompanied by the items listed below:

- 1) A check/money order in the amount of \$10.00 to cover the cost of postage and handling
- 2) Name, address and phone number with area code for product return
- 3) An explanation of the defect
- 4) Proof of Purchase
- 5) Product should be well packed in a sturdy outside shipping carton, to prevent damage in transit, with return postage prepaid to the address listed below:

#### IN U.S.A. SEND TO:

Bushnell Performance Optics  
Attn.: Repairs  
8500 Marshall Drive  
Lenexa, Kansas 66214

#### IN CANADA SEND TO:

Bushnell Performance Optics  
Attn.: Repairs  
25A East Pearce Street, Unit 1  
Richmond Hill, Ontario L4B 2M9

For products purchased outside the United States or Canada please contact your local dealer for applicable warranty information. In Europe you may also contact Bushnell at:

33 141 44 94 80  
Bushnell Performance Optics Service Centre  
Columbusstraat 25  
3165 AC Rotterdam  
The Netherlands

\* This warranty gives you specific legal rights. You may have other rights which vary from country to country.

©2002 Bushnell Corporation

Bushnell is an authorized licensee of Eddie Bauer, Inc.  
Eddie Bauer<sup>®</sup> is a registered trademark of Eddie Bauer, Inc.  
Bushnell, <sup>™</sup>, <sup>®</sup>, denotes trademarks of Bushnell Corporation  
www.bushnell.com